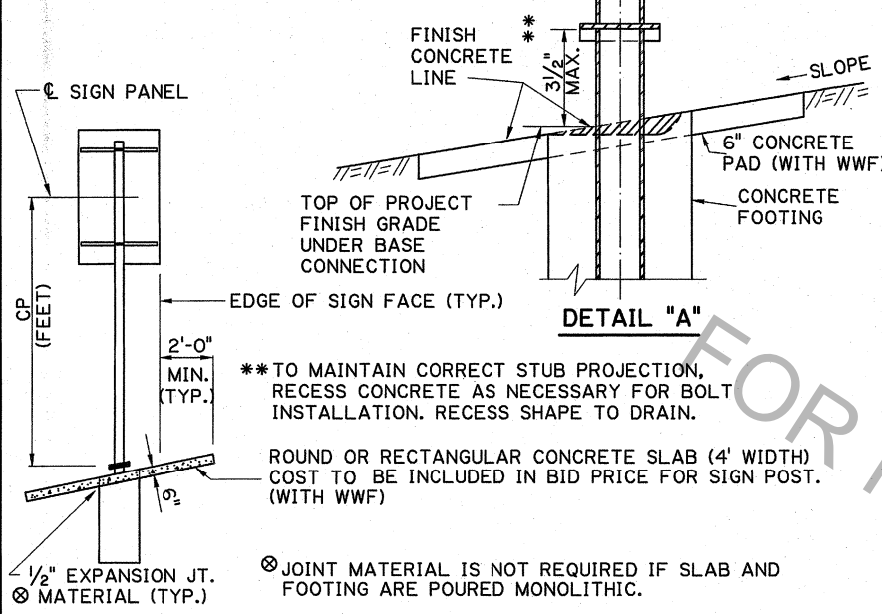
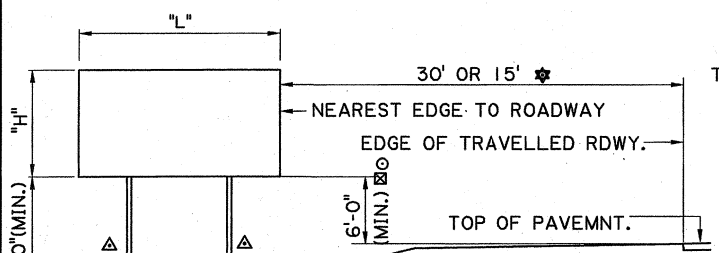


TYPE A SIGN
RECTANGULAR SHAPES:
4'-0" MAX. HORIZ. DIM.
DIAMOND SHAPES:
5'-0" MAX. EDGE DIM.
OTHER SHAPES:
5'-0" MAX. HORIZ. DIM.

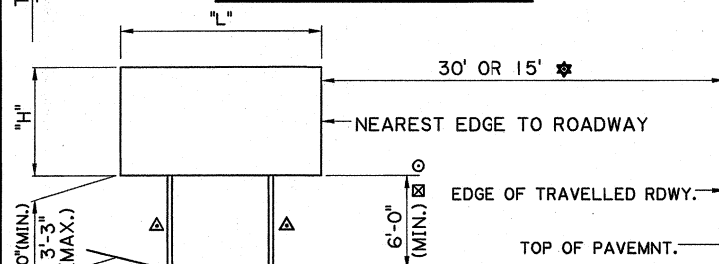
TYPE B SIGN
CLUSTER ASSEMBLY
MAX. DIM. FOR DIFFERENT SIGN BLANK
SHAPES ON SINGLE POST SIGNS.
DIAMOND: 5'-0"x5'-0"
TRIANGLE: 5'-0"x5'-0"x5'-0"
OTHERS: 5'-0" MAX. HORIZ. DIM.



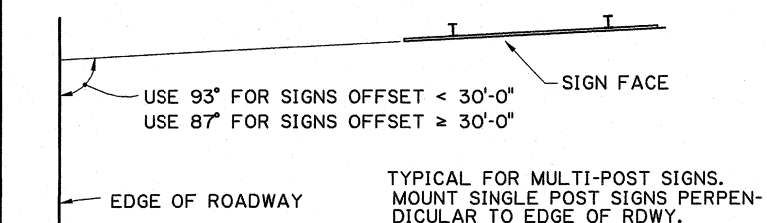
REAR ELEVATION OF SINGLE POST MOUNTING



DETAIL FOR SIGN LOCATED ON FORE SLOPE



DETAIL FOR SIGN LOCATED ON BACK SLOPE



LOCATION OF GROUND MOUNTED SIGN STRUCTURES

SINGLE POST MOUNTS

TOTAL SQ. FT. SIGN AREA											
ALUMINUM ALTERNATE						STEEL ALTERNATE					
ZONE I						ZONE II					
5	10	15	20	25	30	5	10	15	20	25	30
7	5	6	6	7	7	5	6	6	7	7	7
8	5	6	6	6	6	8	5	6	6	6	6
9	6	6	6	6	6	9	6	6	6	6	6
10	7	7	7	7	7	10	7	7	7	7	7
11	7	7	7	7	7	11	7	7	7	7	7
12	7	7	7	7	7	12	7	7	7	7	7
13	7	7	7	7	7	13	7	7	7	7	7
14	7	7	7	7	7	14	7	7	7	7	7
15	7	7	7	7	7	15	7	7	7	7	7
16	5	6	7	7	7	16	5	6	7	7	7
17	5	6	7	7	7	17	5	6	7	7	7
18	5	6	7	7	7	18	5	6	7	7	7
19	5	6	7	7	7	19	5	6	7	7	7
20	5	6	7	7	7	20	5	6	7	7	7
21	5	6	7	7	7	21	5	6	7	7	7
22	5	6	7	7	7	22	5	6	7	7	7
23	5	6	7	7	7	23	5	6	7	7	7
24	5	6	7	7	7	24	5	6	7	7	7
25	5	6	7	7	7	25	5	6	7	7	7
26	5	6	7	7	7	26	5	6	7	7	7
27	5	6	7	7	7	27	5	6	7	7	7
28	5	6	7	7	7	28	5	6	7	7	7
29	5	6	7	7	7	29	5	6	7	7	7
30	5	6	7	7	7	30	5	6	7	7	7

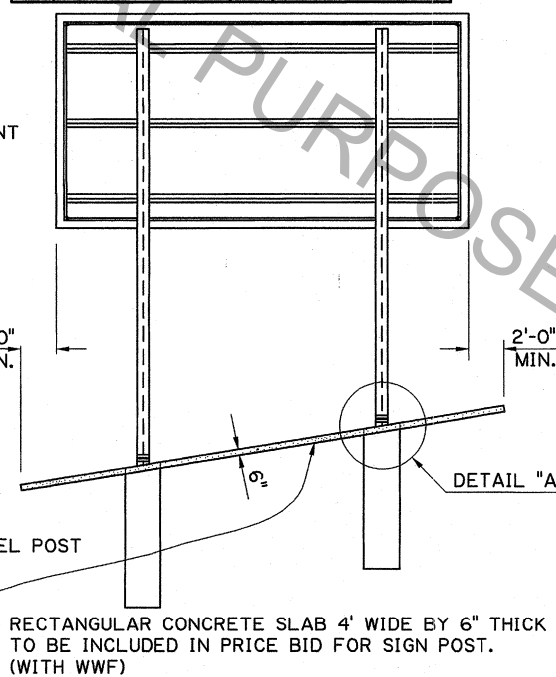
NOTES:
W POST SECTIONS AND TABLE:
COLUMNS HEADED BY THE NUMBERS 42, 34, 27 AND 20 REPRESENT THE DESIGN WIND PRESSURE IN POUNDS PER SQUARE FOOT.
SEE ACCOMPANYING LOUISIANA WIND MAP TO DETERMINE THE DESIGN WIND PRESURE.
L - LENGTH OF SIGN PANEL DESIGNED.
H - HEIGHT OF SIGN PANEL DESIGNED.
ALL DIMENSIONS ARE IN INCREMENTS OF EVEN FEET.

THIS SHEET TO BE USED WITH WIND LOAD MAP AND GENERAL NOTE SHEET.
CONCRETE SLAB TO BE REINFORCED WITH A.S.T.M. A-185 WWF 4x4-W4.0 x W4.0 AND SHALL RECEIVE A CLASS 6 SIDEWALK FINISH IN ACCORDANCE WITH LA. STD. SPECS. 805.08.

- 30' FREEWAYS AND EXPRESSWAYS. 15' NORMAL FOR CONVENTIONAL, FRONTAGE ROADS & INTERSTATE RAMP. THE MINIMUM CLEARANCE OUTSIDE THE USABLE ROADWAY SHOULDER, RIGHT OR LEFT SIDE OF THE ROADWAY SHALL BE 2'-0". FOR THE REQUIRED OFFSET AND MOUNTING HEIGHTS SEE SIGN SUMMARY SHEETS.
- FOR DOUBLE POST SIGN MOUNTINGS WITH A MAX. SIGN AREA OF 20 SQ. FT. AND CP=12 FT., S3x5.7 STEEL POST SECTION SHOULD BE USED.
- 6' MINIMUM FOR ROUTE MARKERS, WARNING AND REGULATORY SIGNS.
- 8' MINIMUM FOR GUIDE SIGNS WHEN SECONDARY SIGN MOUNTED BELOW.
- UNLESS OTHERWISE NOTED ON THE SIGN SUMMARY SHEET.
- TO BE USED ON NON-BREAKWAY SUPPORTS ONLY.

SINGLE POST PIPE & TUBE SECTIONS AND INDEX NUMBERS

NO.	ALUMINUM	NO.	STEEL
5	3" x 3/16" WALL	1	2 1/2" SCHED. 40
6	4" x 3/16" WALL	2	3 1/2" SCHED. 40
7	6" x 1/4" WALL	3	5" SCHED. 40
8	8" x 1/4" WALL	4	6" SCHED. 40



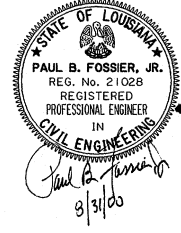
REAR ELEVATION OF MULTI - POST MOUNTING

W POST SECTIONS FOR DOUBLE & TRIPLE POST MOUNTINGS

PL	ALUM.	STEEL	PL	ALUM.	STEEL	PL	ALUM.	STEEL	PL	ALUM.	STEEL												
L	H	42	34	27	20	L	H	42	34	27	20	L	H	42	34	27	20	L	H	42	34	27	20
5	1	7	7	7	7	1	1	1	1	1	1	1	1	1	1	1	1	1	1	1	1	1	1
5	2	7	7	7	7	2	2	2	2	2	2	2	2	2	2	2	2	2	2	2	2	2	2
5	3	7	7	7	7	3	3	3	3	3	3	3	3	3	3	3	3	3	3	3	3	3	3
5	4	7	7	7	7	4	4	4	4	4	4	4	4	4	4	4	4	4	4	4	4	4	4
5	5	7	7	7	7	5	5	5	5	5	5	5	5	5	5	5	5	5	5	5	5	5	5
5	6	7	7	7	7	6	6	6	6	6	6	6	6	6	6	6	6	6	6	6	6	6	6
5	7	7	7	7	7	7	7	7	7	7	7	7	7	7	7	7	7	7	7	7	7	7	7
5	8	7	7	7	7	8	8	8	8	8	8	8	8	8	8	8	8	8	8	8	8	8	8
5	9	7	7	7	7	9	9	9	9	9	9	9	9	9	9	9	9	9	9	9	9	9	9
5	10	7	7	7	7	10	10	10	10	10	10	10	10	10	10	10	10	10	10	10	10	10	10
5	11	7	7	7	7	11	11	11	11	11	11	11	11	11	11	11	11	11	11	11	11	11	11
5	12	7	7	7	7	12	12	12	12	12	12	12	12	12	12	12	12	12	12	12	12	12	12
5	13	7	7	7	7	13	13	13	13	13	13	13	13	13	13	13	13	13	13	13	13	13	13
5	14	7	7	7	7	14	14	14	14	14	14	14	14	14	14	14	14	14	14	14	14	14	14
5	15	7	7	7	7	15	15	15	15	15	15	15	15	15	15	15	15	15	15	15	15	15	15
5	16	7	7	7	7	16	16	16	16	16	16	16	16	16	16	16	16	16	16	16	16	16	16
5	17	7	7	7	7	17	17	17	17	17	17	17	17	17	17	17	17	17	17	17	17	17	17
5	18	7	7	7	7	18	18	18	18	18	18	18	18	18	18	18	18	18	18	18	18	18	18
5	19	7	7	7	7	19	19	19	19	19	19	19	19	19	19	19	19	19	19	19	19	19	19
5	20	7	7	7	7	20	20	20	20	20	20	20	20	20	20	20	20	20	20	20	20	20	20
5	21	7	7	7	7	21	21	21	21	21	21	21	21	21	21	21	21	21	21	21	21	21	21
5	22	7	7	7	7	22	22	22	22	22	22	22	22	22	22	22	22	22	22	22	22	22	22
5	23	7	7	7	7	23	23	23	23	23	23	23	23	23	23	23	23	23	23	23	23	23	23
5	24	7	7	7	7	24	24	24	24	24	24	24	24	24	24	24	24	24	24	24	24	24	24
5	25	7	7	7	7	25	25	25	25	25	25	25	25	25	25	25	25	25	25	25	25	25	25
5	26	7	7	7	7	26	26	26	26	26	26	26	26	26	26	26	26	26	26	26	26	26	26
5	27	7	7	7	7	27	27	27	27	27	27	27	27	27	27	27	27	27	27	27	27	27	27
5	28	7	7	7	7	28	28	28	28	28	28	28	28	28	28	28	28	28	28	28	28	28	28
5	29	7	7	7	7	29	29	29	29	29	29	29	29	29	29	29	29	29	29	29	29	29	29
5	30	7	7	7	7	30	30	30	30	30	30	30	30	30	30	30	30	30	30	30	30	30	30

W SECTIONS & INDEX NUMBERS

NO.	STEEL	NO.	ALUMINUM
1	W6x12	7	6WF 4.16
2	W8x18	8	8WF 5.90
3	W8x24	9	8WF 8.32
4	W10x33	10	10WF 11.41
5	W12x40	11	12WF 13.84
6	W12x45	12	12WF 18.34



SHEET NUMBER
DESIGNED BY: J.C. PORTER
CHECKED BY: A. BRIDGES
DATE: JULY, 2000
SHEET: 8 OF 11
PROJECT: ROADSIDE TRAFFIC SIGNS
REVISION DESCRIPTION: 12-02-16 UPDATE FOR 2016 SPECIFICATIONS
BY: K.M.B.

ROADSIDE MOUNTED SUPPORT DETAILS
TYPE A, B AND D SIGNS
BD.2.7.2.0.8 - ROADSIDE TRAFFIC SIGNS

BRIDGE AND STRUCTURAL DESIGN